

说明书

User Manual



ZMJ60XD
密度继电器

ZMJ60XD
Density Monitor

目录

Catalogue

1. 安全提示

Safety tips

2. 一般性提示

Common tips

3. 报警功能点

Alarm functional points

4. 安装

Installation

5. 使用和维护

Use and maintenance

6. 技术参数

Technical parameters

7. 接线图

Wiring diagram

8. 投诉/更换/修理

Complaint/replacement/repair

9. 订货说明

Order instructions

1. 安全提示 Safety tips



在安装、启动和操作此仪表时，必须遵守相应国际安全规范，所有的工作必须在无电压状态进行。如果不按规程序操作，会造成严重的人身伤害或财产损失。只有经过专业培训的人员可以调装此仪表。

During installation, startup and operation of this instrument, all relevant international safety codes must be obeyed and all the work must be conducted under the voltage-free status. Failure to comply with specific instructions may cause severe injury or property damage. Only professionally trained personnel can debug or install this instrument.

2. 一般性提示 Common tips

功能原理

Working principle

微动开关式密度继电器是改型的带信号输出的压力表。密度继电器实现了测量和开关功能的一体化。温度对密度的影响由一个补偿系统平衡。密度继电器是针对每一个设备特殊设计的(气体纯度, 校验压力, 开关点...)

Micro switch density monitor is a modified pressure gauge with signal output. Density monitor integrates measurement and switching functions. The impact of temperature on density is balanced by a compensation system. Density monitor is specially designed for each device (gas purity, calibration pressure, switch points ...).

3. 报警功能点 Alarm functional points

微动开关也就是辅助电源开关，整个电源回路的开断是通过内部的机械结构达到预先设定的极限值时触发电接点开关。

Magnetic snap-action contact is also auxiliary power switch. The entire power circuit is disconnected or connected by activating the contact when the preset limit value is reached through internal mechanical mechanism.

4. 安装 Installation

A. 机械接口

Mechanical interface

一般仪表常用的技术性规范这里也适用 (如:En837-2)，旋转安装时所用的力不允许直接作用到表壳或接线盒上，而是通过合适的工具作用到扳手面上。

Technical codes (e.g., En837-2) applicable to ordinary instrumentation also apply here. The force applied for rotation installation shall not directly act upon the instrument housing or terminal box but act upon the wrenching face through a suitable tool.



B. 电气接口

Electrical interface

接线必须由经过专业培训的人员操作。接线分布和开关功能都在仪表型号牌上给出 并注明了接线柱和接地柱。规定供电电线必须考虑仪表的上限电流需求量并符合 IEC227 或 IEC245 标准。

The wirings shall be performed by professionally trained personnel. Wiring distribution and switching functions are displayed on the instrument type plate with terminal binding posts and ground pole also indicated. The specifications of power line must allow for the upper limit current requirement of the instrument and comply with IEC227 or IEC245.

5. 使用和维护 Use and maintenance

密度继电器应垂直安装,用在室外的密度继电器应避免阳光直射到仪表上,考虑在仪表上加装防护罩。

Density monitor shall be installed upright. For a gas density monitor used outdoors, direct exposure to sunlight is not allowed, and it is advisable to use a shield.

密度继电器安装部位应能较真实地反映设备内气体的温度。

Density monitor shall be erected at a proper position to reflect the temperature of gas in relevant equipment.

用肥皂水浸湿的擦布清洁仪表，要清洁接线盒或插头时要先把电源断开，再接通电源前确保所有部件不潮湿。

Clean the instrument with a wiping cloth soaked in soap water. Cut off the power supply before cleaning the terminal box or plugs. Make sure that all components are dry before turning on the power again.

6. 技术参数 Technical parameters

A. 一般参数

General parameters

外形尺寸 External dimension	105mm*82mm
量程范围 Measuring range	依据用户要求定制 customized
测量介质 Measuring medium	SF ₆ 、Air、N ₂ 、SF ₆ +N ₂ 等气体 SF ₆ 、Air、N ₂ 、SF ₆ +N ₂ etc.
设定点精度 Set point accuracy	±10KPa@-30°C~+60°C (气态) (gas phase)
指示精度 Indicating accuracy	度盘刻度范围内 (within the range of the dial) : ±10KPa@ +20±1°C
抗振性能 Vibration resistance	20m/s ²
抗冲击性能 Shock performance	50g
接点电气参数 Contact electrical parameters	10 (1.5) A, 250V AC 0.1 (0.05) A, 250V AC
接点类型 Contact type	微动开关式 Microswitch type
工作环境 Working environment	-20°C~+60°C 相对湿度 (relative humidity) ≤95 %RH 可选 (options) -40°C~+60°C
防护等级 Protection grade	IP 65

密封性能 Sealing performance	气路(Measuring system): $\leq 1 \times 10^{-9} \text{Pa} \cdot \text{m}^3/\text{s}$
开关点数量 Quantity of switch points	上限4组 Upper 4 groups
开关动作点 Switch action points	依据用户要求定制 customized
外壳材质 Casing material	YL113
感压元件 Pressure sensing element	波纹管 Bellows
压力接口 Pressure interface	依据用户要求定制 customized
电气连接 Electrical connection	插接式连接器 Plug in connector

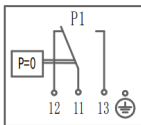
B. 电气性能

Electrical properties

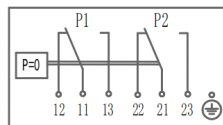
绝缘电阻 Insulation resistance	$> 100 \text{M}\Omega$ (DC 500V)
绝缘耐压 Insulation & withstand voltage	2000V, 50/60 Hz 1min 接线端子间耐压 2000V, 50/60 Hz 1min connecting terminal' s withstand voltage 2000V, 50/60 Hz 1min 接线端子对地耐压 2000V, 50/60 Hz 1min connecting terminal' s withstand voltage to earth

7. 接线图 Wiring diagram

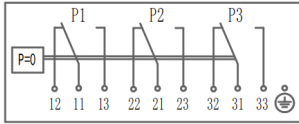
A. 接点回路 (P=0) Contact circuit (P=0)



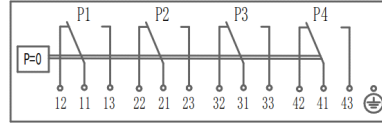
单接点
Single contact



双接点
Double contacts



三接点
Three contacts



四接点
Four contacts

8. 投诉/更换/修理 Complaint/replacement/repair

售后服务时请给出生产编号和产品型号,生产编号印在表盘上,产品型号印在标牌上。

At customer service, please provide with the production number and product model. The production number is printed on the dial, while the product model is printed on the nameplate.

密度继电器必须长时间恒温才能达到温度补偿作用(至少两小时)。

Density monitor must be kept in constant temperature for a long time (at least two hours) so as to achieve temperature compensation.

只有厂家可以进行维修,不允许随便打开仪表,否则会使显示和开关点产生误差。

No one other than the manufacturer is allowed to disassemble the instrument for fear that any error may occur to the display and switch point.

9. 订货说明 Order instructions

型号/数量/量程/开关动作点/接口尺寸/其它特殊事项

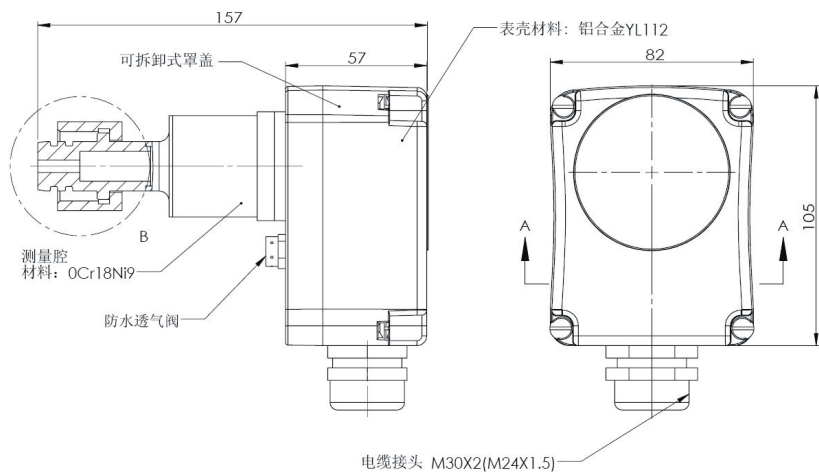
Model/quantity/measuring range/switch action point/interface size/other special issues

注:说明书中为基础配置,其余定制化需求见客户图。

Note: Basic type is included in the manual and other customized requirements are shown in the customer's drawing.

附图一：外形尺寸

Attached Drawing 1: External Dimensions



LANSO[®]

朗松珂利(上海)仪器仪表有限公司
Lanso Konly (Shanghai) Instruments Co., Ltd.
电话/Tel: (86) 21-64897236
传真/Fax: (86) 21-54421043
网址: www.lanso.com.cn